

LED Downlight



DL8W

Overview

SolarSpan's low heat ultraslim 8W LED downlight has been custom designed for Bondor insulated roof products and outdoor use in patios and pergola applications. Our 8W LED Downlight provides an energy efficient lighting solution with up to 50,000 hours of operational use and covered by a 3 year manufacturer's return to base warranty.

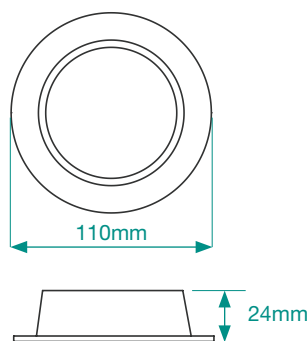
Features

- Simple and elegant appearance
- Easy to install
- Environmentally friendly
- Outdoor use
- Chromated finish
- Die-cast aluminium heatsink
- Custom designed, Australian approved, for SolarSpan[®] & InsulRoof[®] 50mm insulated panel
- Australian approved LED dimmable driver 5 - 100% (for details refer to Control / Dimmer data sheet)
- DA202: 8/11 W ± 10% maximum system watts
- High performance LEDs, up to 50,000 hr
- Low profile: 25 mm max. depth

Models

DL8W
Finish colour: white
Other colours available on request

Dimensions



Applications

Domestic

- Kitchens
- Bathrooms
- Laundries
- Undercover areas
- Soffits, under eaves

Commercial

- Storage areas
- Toilets
- Undercover areas, eaves
- Shops, malls
- Soffits, under eaves

Industrial

- Task lighting
- Toilets
- Amenities

Accessories

Control Dimmer

- DLDIM400

Extension Lead

- DL8W-EXT10M

Manufactured under ISO 9001: 2008 to standards - AS/NZS60598.1 - AS/NZS60598.2.1 - AS/NZS60598.2.2 - AS/NZS CISPR 15

Characteristics and specifications may change without notice. All electrical installations / connections should be carried out by a competent person at all times. Application images are indicative only and may not contain actual product. The information contained in this publication is typical and must not be interpreted as a guarantee of individual product performance.



Technical Specifications

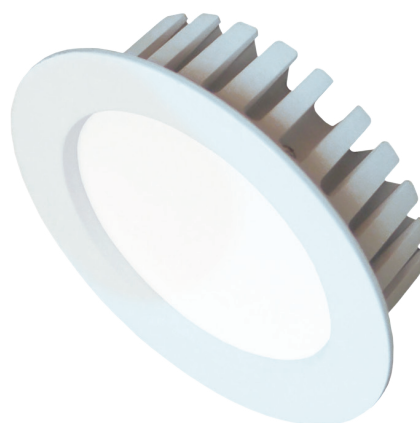
Input Power		8 W ± 10%
Input Voltage	Non-Dimmable	100 - 240 VAC 50/60 Hz
	Dimmable	220 - 240 VAC 50/60 Hz
LED Current		350 mA DC
Light Source		SMD LED
Correlated Colour Temperature		4000 K
Beam Angle		90°
CRI		> 80
Luminous Flux	4000 K	615 lm ± 5%
Aai	4000 K	1 m: 317.8 lx
		2 m: 79.3 lx
		3 m: 35.2 lx
Trim Colour		White

Optional Accessories



Extension Lead

Also available



10W LED Downlight



Leaders in Thermal & Architectural Building Solutions

Metecno Pty Limited. ABN 44 096 402 934. The manufacturer reserves the right to change the specification without notice. Bondor®, Equilt®, BondorPanel®, FlameGuard®, MetecnoPanel®, InsulWall®, SolarSpan®, MetecnoSpan®, Purline®, Equideck®, InsulLiving®, Metecno, MetecnospanTH & MetecnoPanelTH are trademarks of Metecno Pty Limited. BlueScope, COLORBOND® and colour names are trademarks of BlueScope Steel Limited. The colours shown in this publication have been reproduced to represent actual product colours as accurately as possible. However, given printing limitations, we recommend checking your chosen colour against an actual sample before placing orders. This advice is of a general nature only. Designers must provide for adequate structural performance and other Building Code requirements. This information is subject to change. Refer to Bondor® website for latest version. Consult Bondor® for your application. BON0282 SolarSpan DL8W LED Downlight Flyer v3 - 13/7/16

www.SolarSpan.com.au

BRISBANE/EXPORT

103 Ingram Road, Acacia Ridge, QLD, 4110
Ph: (07) 3323 8500 Fax: (07) 3323 8501

PERTH

17 Gauge Circuit, Canning Vale, WA, 6155
Ph: (08) 9256 0600 Fax: (08) 9256 0620

ADELAIDE

70-72 Rundle Road, Salisbury South, SA, 5106
Ph: (08) 8282 5000 Fax: (08) 8282 5099

MELBOURNE

329A St Albans Road, Sunshine, VIC, 3020
Ph: (03) 8326 8000 Fax: (03) 8326 8099

LAUNCESTON

7 Connector Park Drive, Kings Meadows, TAS, 7249
Ph: (03) 6335 8500 Fax: (03) 6335 8544

SYDNEY

49-53 Newton Road, Wetherill Park, NSW, 2164
Ph: (02) 9609 0888 Fax: (02) 9729 1114