

# LED Downlight



## DL10W

### Overview

The DL10W series white trim downlight is built robust with an aluminium die-cast body and is available with a beam angle of 90 degrees. The unit provides a soft, tender light and its simple and elegant appearance will blend seamlessly with any décor.

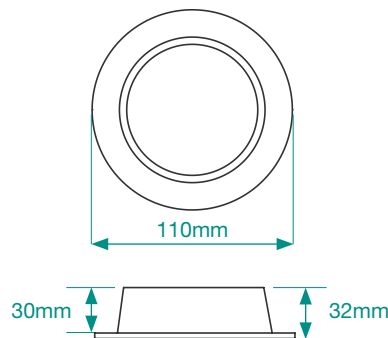
### Features

- IP54 protection from below ceiling, IP20 from above
- Enhanced performance
- Suits GreenStar, IPART and BCA compliant designs
- Die-cast aluminium heatsink
- Aust. approved LED dimmable driver 5 - 100% (for details refer to Control / Dimmer data sheet)
- 10 W ± 5% maximum system watts
- High performance LEDs, up to 50,000 hr
- EMC compliant to 300 MHz
- Operational voltage 176 to 264 VAC
- Overload / short circuit protection
- High power factor > 0.95
- 1.5 m supply flex and 2-pin plug
- Quick connect LED head
- Ceiling penetration of 49 mm
- Lumen output: 650 lm (3000 K)  
690 lm (4000 K)

### Models

DL10W-RNDWHT-COOL 3000 K  
DL10W-RNDWHT-WARM 4000 K  
Finish colour: white  
Other colours available on request

### Dimensions



Extension Lead

### Applications

#### Domestic

- Kitchens
- Bathrooms
- Laundries
- Undercover areas
- Soffits, under eaves

#### Commercial

- Storage areas
- Toilets
- Undercover areas, eaves
- Shops, malls
- Soffits, under eaves

#### Industrial

- Task lighting
- Toilets
- Amenities

### Accessories

#### Control Dimmer

- DLDIM400

#### Extension Lead

- DL10W-EXT10M

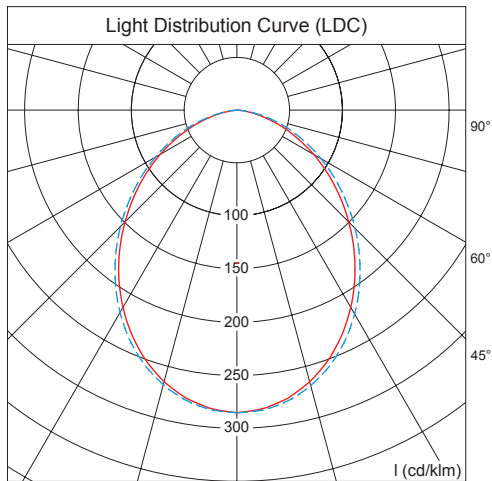
Manufactured under ISO 9001: 2008 to standards - AS/NZS60598.1 - AS/NZS60598.2.1 - AS/NZS60598.2.2 - AS/NZS CISPR 15

Characteristics and specifications may change without notice. All electrical installations / connections should be carried out by a competent person at all times. Application images are indicative only and may not contain actual product. The information contained in this publication is typical and must not be interpreted as a guarantee of individual product performance.



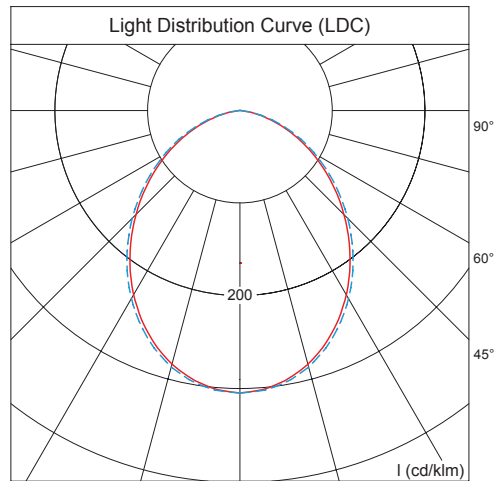
# Lighting Data

DL10W-3KD

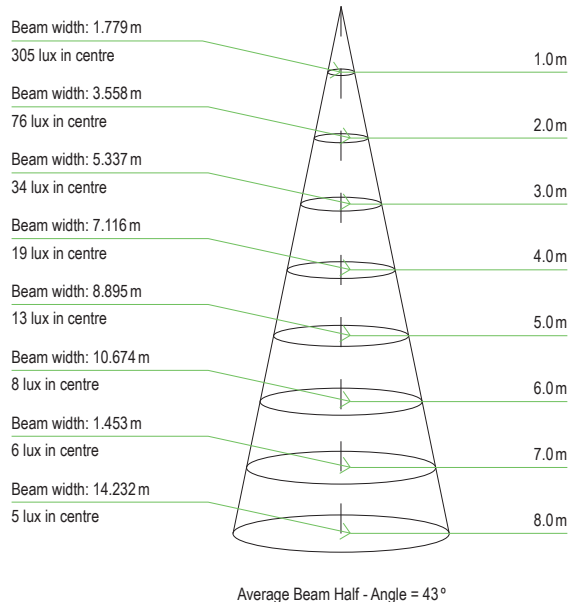
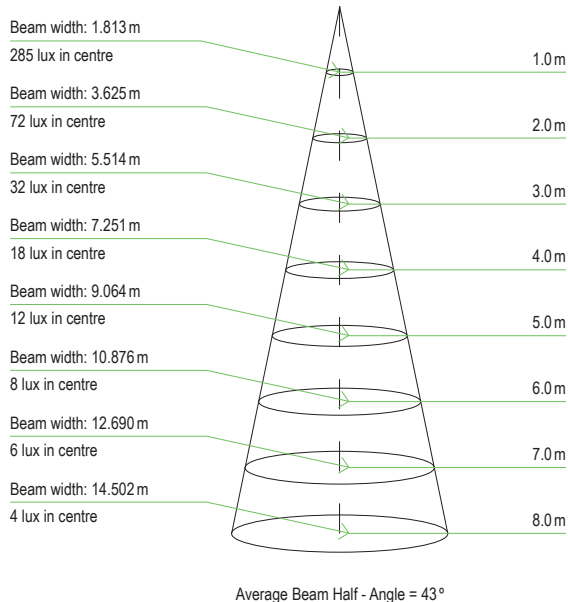


Utilisation Table (TM5)			DL10W 3KD.IES									
Reflectances			Room Index									
C	W	F	0.75	1.0	1.25	1.5	2.0	2.5	3.0	4.0	5.0	
70	50	20	47	55	60	64	69	73	75	79	81	
70	30	20	41	49	55	59	65	69	72	76	78	
70	10	20	37	45	51	55	61	66	69	73	76	
50	50	20	46	53	58	62	67	70	73	76	77	
50	30	20	41	48	54	58	63	67	70	73	75	
50	10	20	37	45	50	54	60	64	67	71	74	
30	50	20	45	52	57	60	65	68	70	73	74	
30	30	20	40	48	53	57	62	65	68	71	73	
30	10	20	37	44	50	54	59	63	66	69	71	
0	0	0	35	43	48	51	57	60	62	66	68	
BZ-class			4	4	4	4	4	4	4	4	4	
			SHRnom : 1.25			SHRmax : 1.428						

DL10W-4KD



Utilisation Table (TM5)			DL10W 4KD.IES									
Reflectances			Room Index									
C	W	F	0.75	1.0	1.25	1.5	2.0	2.5	3.0	4.0	5.0	
70	50	20	50	59	64	68	74	78	80	84	86	
70	30	20	44	53	59	63	69	74	77	81	83	
70	10	20	40	48	55	59	66	70	73	78	81	
50	50	20	49	57	62	66	71	75	77	80	82	
50	30	20	44	52	58	62	68	72	74	78	80	
50	10	20	40	48	54	58	64	69	72	76	78	
30	50	20	48	55	61	64	69	72	75	77	79	
30	30	20	43	51	56	60	66	70	72	75	78	
30	10	20	40	47	53	57	63	67	70	74	76	
0	0	0	38	46	51	55	60	64	67	70	72	
BZ-class			3	4	4	4	4	4	4	4	4	
			SHRnom : 1.25			SHRmax : 1.426						



Leaders in Thermal & Architectural Building Solutions

Metecno Pty Limited. ABN 44 096 402 934. The manufacturer reserves the right to change the specification without notice. Bondor®, Equitilt®, BondorPanel®, FlameGuard®, MetecnoPanel®, InsulWall®, SolarSpan®, MetecnoSpan®, Purline®, Equideck®, InsulLiving®, Metecno, MetecnospanTH & MetecnoPanelTH are trademarks of Metecno Pty Limited. BlueScope, COLORBOND® and colour names are trademarks of BlueScope Steel Limited. The colours shown in this publication have been reproduced to represent actual product colours as accurately as possible. However, given printing limitations, we recommend checking your chosen colour against an actual sample before placing orders. This advice is of a general nature only. Designers must provide for adequate structural performance and other Building Code requirements. This information is subject to change. Refer to Bondor® website for latest version. Consult Bondor® for your application. BON0282 SolarSpan DL10W LED Downlight Flyer v4 - 13/7/16

[www.SolarSpan.com.au](http://www.SolarSpan.com.au)

**BRISBANE/EXPORT**

103 Ingram Road, Acacia Ridge, QLD, 4110  
Ph: (07) 3323 8500 Fax: (07) 3323 8501

**PERTH**

17 Gauge Circuit, Canning Vale, WA, 6155  
Ph: (08) 9256 0600 Fax: (08) 9256 0620

**ADELAIDE**

70-72 Rundle Road, Salisbury South, SA, 5106  
Ph: (08) 8282 5000 Fax: (08) 8282 5099

**MELBOURNE**

329A St Albans Road, Sunshine, VIC, 3020  
Ph: (03) 8326 8000 Fax: (03) 8326 8099

**LAUNCESTON**

7 Connector Park Drive, Kings Meadows, TAS, 7249  
Ph: (03) 6335 8500 Fax: (03) 6335 8544

**SYDNEY**

49-53 Newton Road, Wetherill Park, NSW, 2164  
Ph: (02) 9609 0888 Fax: (02) 9729 1114